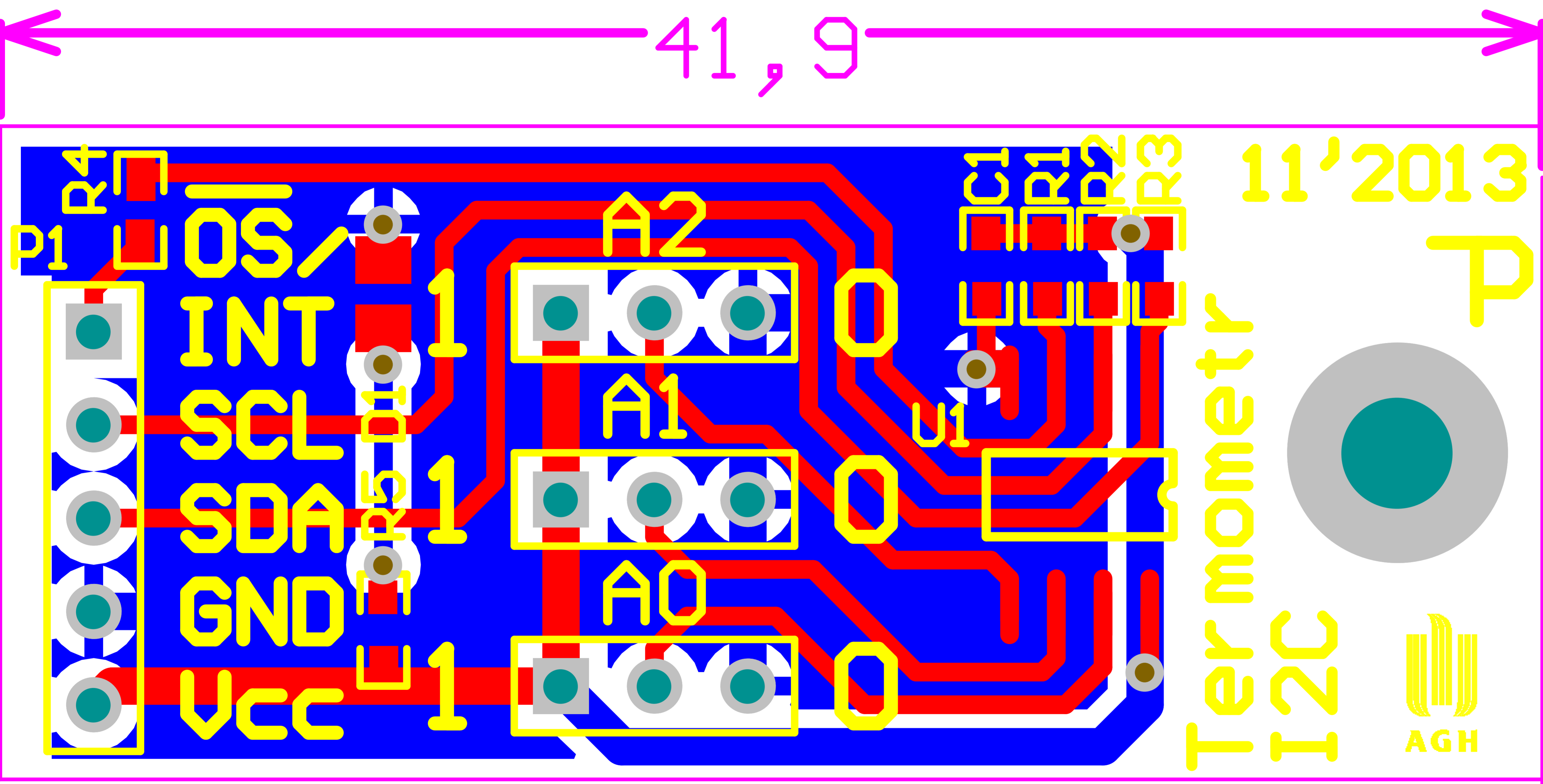


Title		
Size	Number	Revision
A4		
Date:	2013-12-11	Sheet of
File:	C:\Users\...\Termometr I2C.SchDoc	Drawn By:

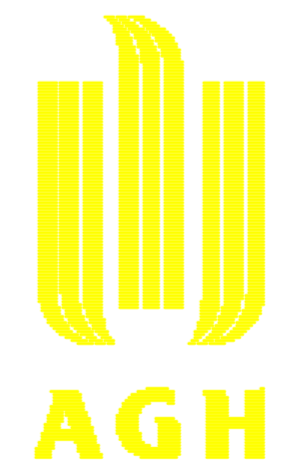


41,9

11'2013

P

Terмометр  
I2C



17,8